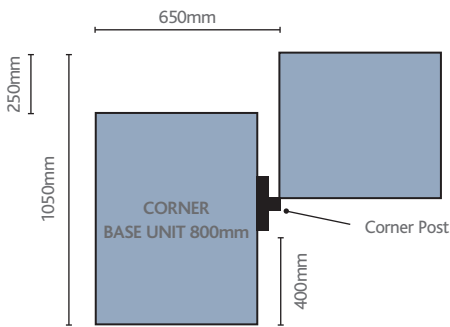


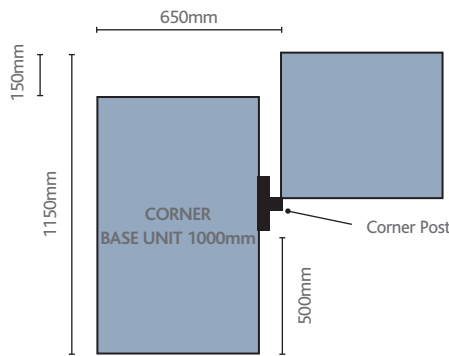
# Kitchen Planning

Here you will find useful information on how to plan corner units and to create design features within your kitchen.

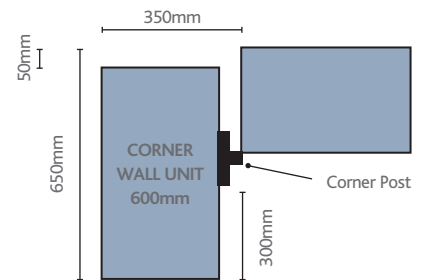
800mm corner base unit



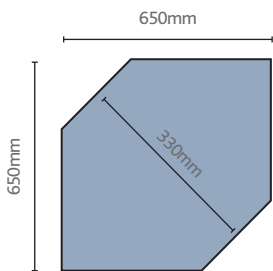
1000mm corner base unit



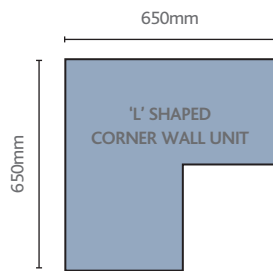
Corner wall unit



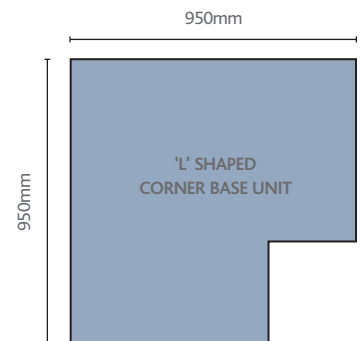
Diagonal corner wall unit



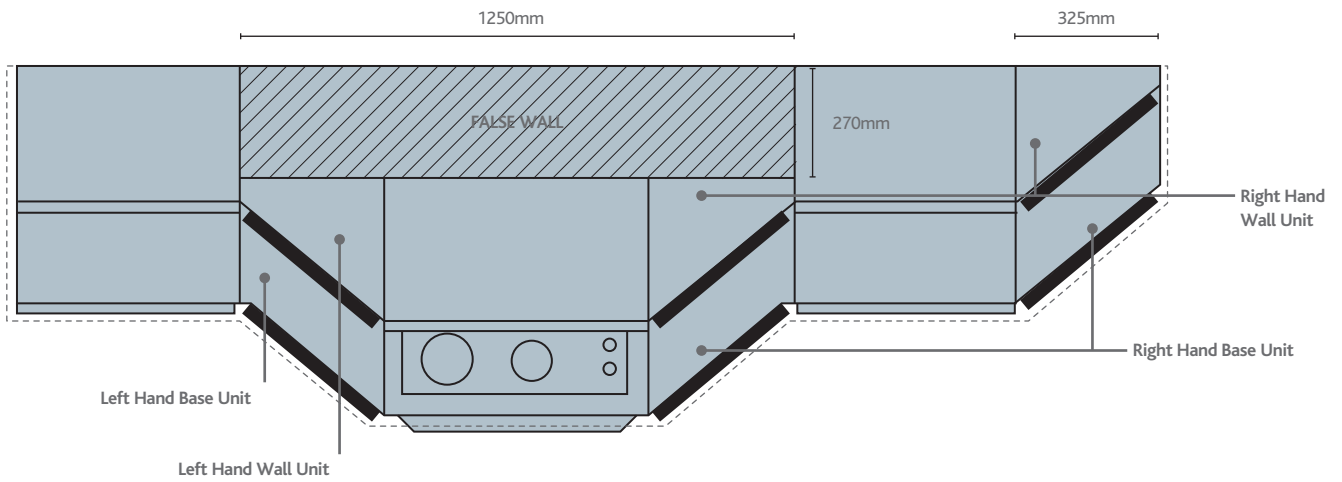
L-shaped corner wall unit



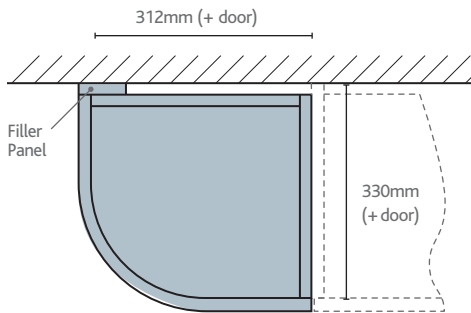
L-shaped corner base unit



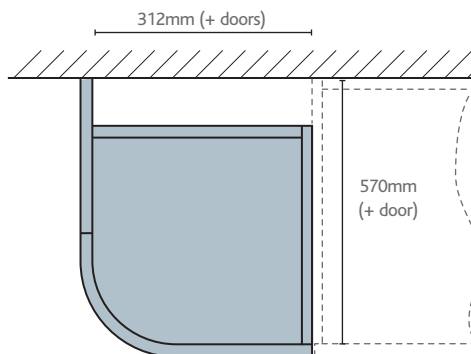
## Angled units



## Curved wall unit - end of run

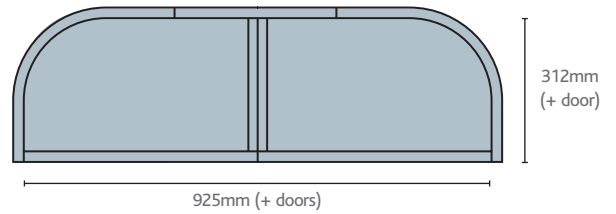


## Curved base unit - end of run

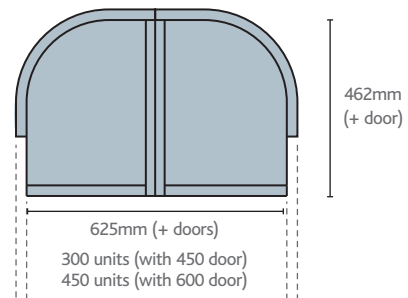


## Island unit options

Option 1



Option 2



Option 3

